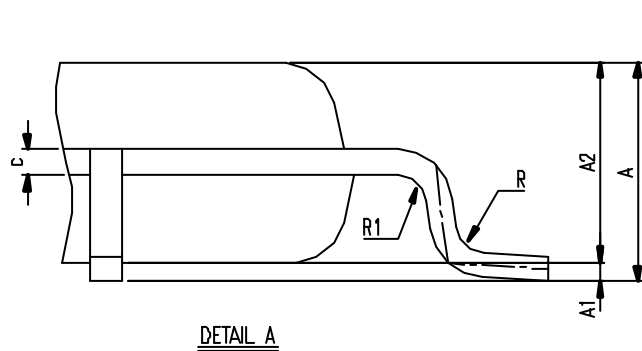
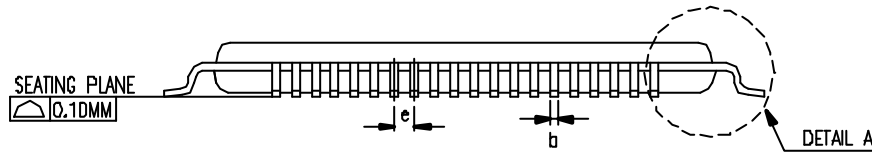
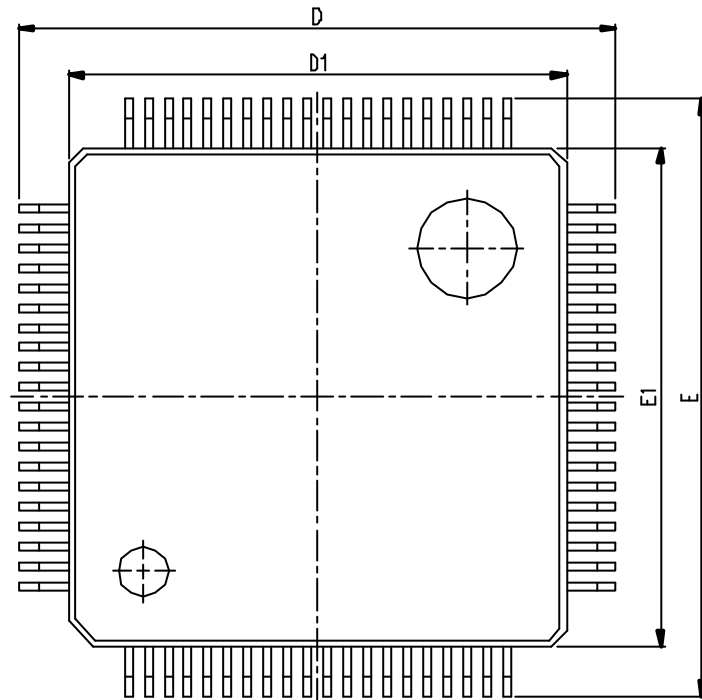
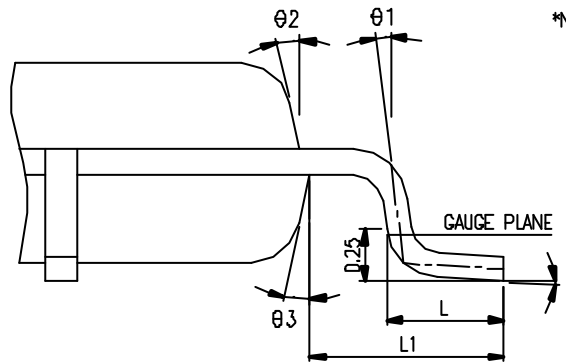


REV.	DESCRIPTION	BY	DATE
ORIG.	DRAWING ISSUE	SANDY CHEN	03.21.2008



DETAIL A



SYMBOL	DIMENSION IN MM			DIMENSION IN INCH		
	MIN.	NOM.	MAX.	MIN.	NOM.	MAX.
A			1.20			0.047
A1	0.05		0.15	0.002		0.006
A2	0.95	1.00	1.05	0.037	0.039	0.041
b	0.13	0.18	0.23	0.005	0.007	0.009
c	0.09		0.20	0.004		0.008
e	D 40 BASIC			0.016 BASIC		
D	12.00 BASIC			0.472 BASIC		
D1	10.00 BASIC			0.394 BASIC		
E	12.00 BASIC			0.472 BASIC		
E1	10.00 BASIC			0.394 BASIC		
L	0.45	0.60	0.75	0.018	0.024	0.030
L1	1.00 REF.			0.039 REF.		
R1	0.08			0.003		
R	0.08		0.20	0.003		0.008
θ	0	3.5	7	0	3.5	7
θ1	0			0		
θ2	11	12	13	11	12	13
θ3	11	12	13	11	12	13
JEDEC	MS-026 (ACE)					

*NOTES : DIMENSIONS " D1 " AND " E1 " DO NOT INCLUDE MOLD PROTRUSION. ALLOWABLE PROTRUSION IS 0.25 mm PER SIDE.
 " D1 " AND " E1 " ARE MAXIMUM PLASTIC BODY SIZE DIMENSIONS INCLUDING MOLD MISMATCH

CWT Chant World Technology Inc.	<input type="checkbox"/>		ANGULAR ± 1°
	XXXXX ±0.005 XXXXX ±0.005 XXXXX ±0.05 XX. ±0.1 XX. ±0.2	<input checked="" type="checkbox"/>	ROUGHNESS SCALE
TITLE TQFP BDL PACKAGE OUTLINE BODY SIZE · 10 X 10 MM			
DESIGNED SMILE KUD 03.21.2008	UNIT	QTY	
CHECKED SANDY CHEN 03.21.2008	FILE NAME : PPF080P1		A3
APPROVED SANDY CHEN 03.21.2008	DWG. NO.: CW-PP-001A		